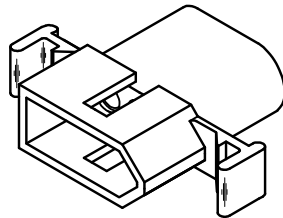
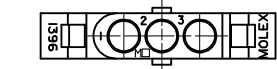
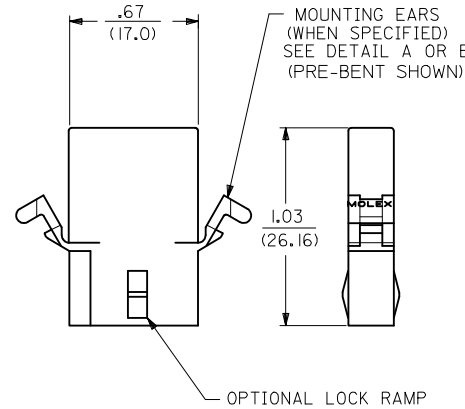
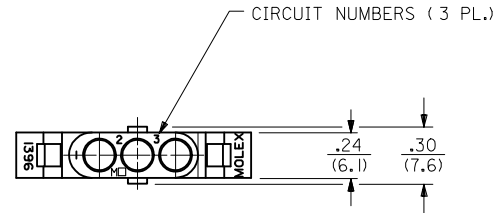


.198 TYP.
(5.03)



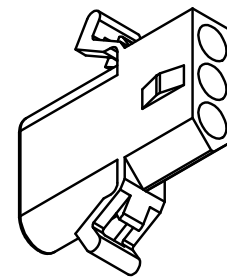
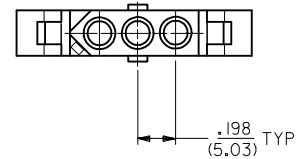
PLUG

1396-P SHOWN ABOVE (WITH STANDARD MOUNTING EAR)



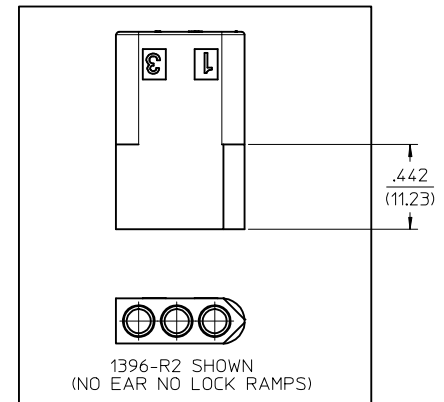
ALTERNATE END CONFIGURATION
SEE NOTE Δ

B SEE NOTE Δ



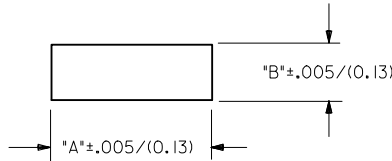
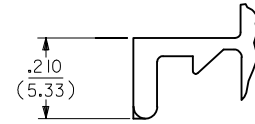
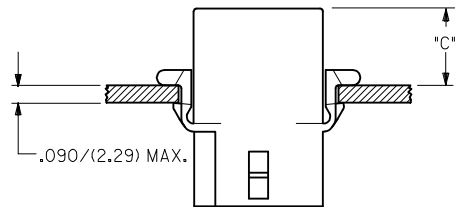
RECEPTACLE

1396-R4 SHOWN (WITH PRE-BENT EAR)



ADD NOTES 7 & 8 EC NO: UCP2014-5270 DRWN:JDFX 2014/06/17 CHKD:HK/PPER 2014/06/17 APPR:FSMITH 2014/06/23	QUALITY SYMBOLS ▽=0 ▽=0 ▽=0	GENERAL TOLERANCES (UNLESS SPECIFIED) <table border="1"> <thead> <tr> <th></th> <th>mm</th> <th>INCH</th> </tr> </thead> <tbody> <tr> <td>4 PLACES</td> <td>± .10</td> <td>± .004</td> </tr> <tr> <td>3 PLACES</td> <td>± .10</td> <td>± .010</td> </tr> <tr> <td>2 PLACES</td> <td>± 0.25</td> <td>± .014</td> </tr> <tr> <td>1 PLACE</td> <td>± 0.35</td> <td>± .014</td> </tr> <tr> <td>0 PLACE</td> <td>± .10</td> <td>± .004</td> </tr> </tbody> </table>		mm	INCH	4 PLACES	± .10	± .004	3 PLACES	± .10	± .010	2 PLACES	± 0.25	± .014	1 PLACE	± 0.35	± .014	0 PLACE	± .10	± .004	DIMENSION STYLE IN/MM	SCALE 2:1	DESIGN UNITS INCH	THIRD ANGLE PROJECTION
		mm	INCH																					
	4 PLACES	± .10	± .004																					
	3 PLACES	± .10	± .010																					
2 PLACES	± 0.25	± .014																						
1 PLACE	± 0.35	± .014																						
0 PLACE	± .10	± .004																						
DRAFT WHERE APPLICABLE MUST REMAIN WITHIN DIMENSIONS	MATERIAL NO. SEE CHART	DRAWN BY JJS	DATE 1988/04/08	TITLE .093/(2.36) HOUSING PLUG AND RECEPTACLE 3 CIRCUIT .198 CENTERS	DOCUMENT NO. SD-1396-*	SHEET NO. 1 OF 2																		
REV Z2	ANGLAR ±1/2°	APPROVED BY FSMITH	DATE 2014/06/23	molex																				
THIS DRAWING CONTAINS INFORMATION THAT IS PROPRIETARY TO MOLEX INCORPORATED AND SHOULD NOT BE USED WITHOUT WRITTEN PERMISSION																								

J	PLUG		RECEPTACLE						
	ORDER NO.	ENG. NO.	ORDER NO.	ENG. NO.	HOUSING	DIM. "A"	DIM. "B"	"C" PREBENT EAR	"C" STANDARD EAR
	03-09-2031	I396-P	03-09-1031	I396-R	PLUG	.933/(23.70)	.375/(9.53)	.40/(10.2)	.38/(9.7)
	03-09-2032	I396-P1	03-09-1032	I396-R1	RECEPT.	.830/(21.08)	.312/(7.92)	.41/(10.4)	.39/(9.9)
	03-09-7032	I396-PIBK	03-09-1033	I396-R2					
	03-09-7031	I396-PBK	03-09-6033	I396-R2BK					
	03-09-2037	I396-P3	03-09-6032	I396-RIBK					
			03-09-6031	I396-RBK					
			03-09-1081	I396-R4					



DETAIL A
STANDARD MOUNTING EAR
(SCALE 4:1)

LEGEND:

I396-****-*

P = PLUG
R = RECEPTACLE

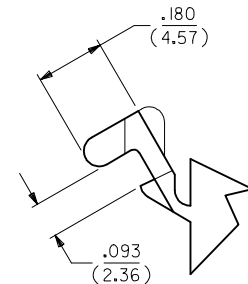
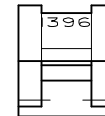
- BLANK = WITH STANDARD EARS
 1 = WITHOUT EARS
 2 = RECEPTACLE WITHOUT EARS, WITHOUT LOCK RAMPS
 3 = PLUG ONLY, W/ SIDE MOUNT (SEE SD-I396-P3)
 4 = WITH PREBENT EARS

COLOR: BLANK=NATURAL COLOR
 AM=AMBER BK=BLACK BU=BLUE
 BN=BROWN GY=GRAY GN=GREEN
 OR=ORANGE RD=RED YW=YELLOW

BLANK = NYLON 6/6, 94V-2

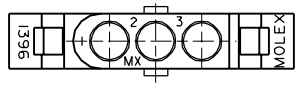
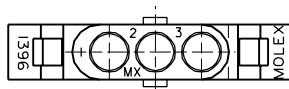
NOTES:

- MATERIAL: SEE LEGEND
 - FINISH: NOT APPLICABLE
 - PRODUCT SPECIFICATION: PS-02-09
 - PACKAGING INFORMATION: REFER TO PK-1396-001
- △ DIMENSION FROM THE BACK OF THE HOUSING TO THE END OF BRUSH ON WIRE INSERTED INTO THE HOUSING:
 DIM "A"= .256/6.50 FOR 42477 & 42478 TERMINALS
 .216/5.49 FOR ALL OTHER .093 TERMINALS
 DIM "B"= .377/9.58 FOR 42477 & 42478 TERMINALS
 .337/8.56 FOR ALL OTHER .093 TERMINALS
- △ CIRCUIT I.D. NUMBERS ON SIDE OF HOUSING APPEAR ON PARTS FROM TOOLS BUILT AFTER 5/4/93.
- △ END CONFIGURATION IS DEPENDENT ON MOLD DESIGN. PARTS MAY HAVE EITHER CONFIGURATION.
8. PARTS CONFORM TO CLASS B REQUIREMENTS OF COSMETIC SPECIFICATION PS-45499-002.

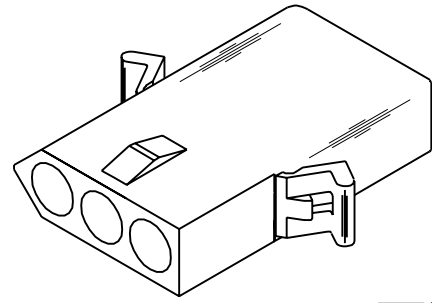


DETAIL B
PREBENT MOUNTING EAR
(SCALE 4:1)

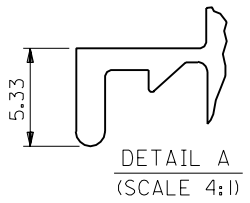
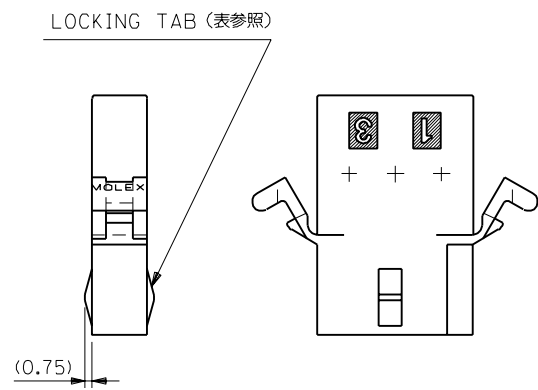
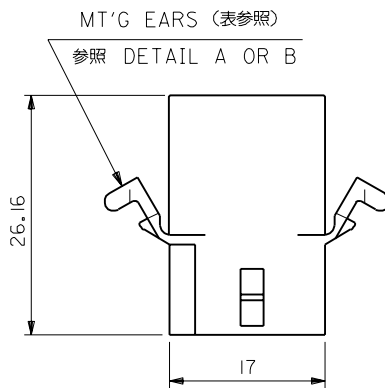
ADD NOTES 7 & 8 EC NO: UCP2014-5270 DRWN:JDFOX 2014/06/17 CHKD:HKIPPER 2014/06/17 APPR:FSMITH 2014/06/23	QUALITY SYMBOLS	GENERAL TOLERANCES (UNLESS SPECIFIED)		DIMENSION STYLE	SCALE	DESIGN UNITS	THIRD ANGLE PROJECTION
		mm	INCH	IN/MM	2:1	INCH	
					DRAWN BY DATE	TITLE	
					JJS 1988/04/08	.093/(2.36) HOUSING PLUG AND RECEPTACLE 3 CIRCUIT .198 CENTERS	
				CHECKED BY DATE	molex		SHEET NO.
				RW 1988/04/08			2 OF 2
				APPROVED BY DATE			
				FSMITH 2014/06/23			
				MATERIAL NO.		DOCUMENT NO.	
				SEE CHART		SD-1396-*	
				ANGULAR ±1/2°			
				DRAFT WHERE APPLICABLE MUST REMAIN WITHIN DIMENSIONS			
				SIZE	THIS DRAWING CONTAINS INFORMATION THAT IS PROPRIETARY TO MOLEX INCORPORATED AND SHOULD NOT BE USED WITHOUT WRITTEN PERMISSION		



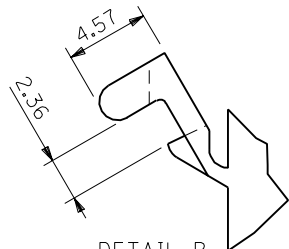
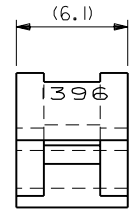
OPTIONAL END CONFIGURATION



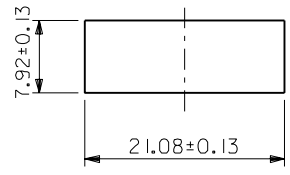
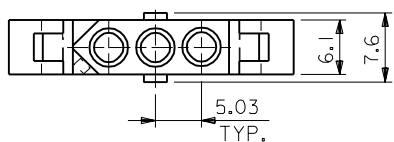
RECEPTACLE



DETAIL A (SCALE 4:1)



DETAIL B (SCALE 4:1)



パネル取付穴寸法
(パネル厚 2.29最大)

I396R4	03-09-1081	有	WITH	有	WITH DETAIL B
I396R2	03-09-1033	無	WITHOUT	無	WITHOUT
I396R1	03-09-1032	有	WITH	無	WITHOUT
I396R	03-09-1031	有	WITH	有	WITH DETAIL A
ENG. NO.	EDP NO.	LOCKING TABS	MT'G EARS		

DO NOT SCALE DRAWING

EC NO. DRWN: CHK: APPR:	EC NO. DRWN: CHK: APPR:	EC NO. DRWN: CHK: APPR:	EC NO. DRWN: CHK: APPR:	RELEASED EC NO. JC2001-0078 DRWN: K.KOHAMA '00/08/28 CHK: T.YAMAGUCHI APPR: M.FUKUSHIMA
----------------------------------	----------------------------------	----------------------------------	----------------------------------	---

MATERIAL 材料	NYLON66 94V-2
FINISH 仕上り	
WIRE RANGE 適用線径範囲	
INS. RANGE 被覆径	

GENERAL TOLERANCES: (UNLESS SPECIFIED) 一般公差	SCALE 2 : 1	DESIGN UNITS <input checked="" type="checkbox"/> mm <input type="checkbox"/> INCH
10 UNDER 未満	+0.25 ±0.2	DRAWN BY & DATE K.KOHAMA '00/08/28
10 OVER 以上	+0.3 ±0.25	CHECKED BY & DATE T.YAMAGUCHI '00/08/28
30 OVER 以上	+0.35 ±0.3	APPROVED BY & DATE M.FUKUSHIMA '00/08/28
ANGLE 角度	+3°	CAD FILENAME I396001.S01

MODEL NO.	03-09-1***	DIMENSIONS: <input type="checkbox"/> mm <input type="checkbox"/> INCH <input checked="" type="checkbox"/> mm ONLY	SHT	REV
THIRD ANGLE PROJECTION		TITLE: 3 CIRCUITS RCPT HSG (0.093 DIA TERMINAL)		REVISE ON CAD ONLY
MATERIAL NO. SEE NOTES		DRAWING NO. SD-1396-001	SHEET NO. 1 OF 1	SIZE B
THIS DRAWING CONTAINS INFORMATION THAT IS PROPRIETARY TO MOLEX INCORPORATED AND SHOULD NOT BE USED WITHOUT WRITTEN PERMISSION.				